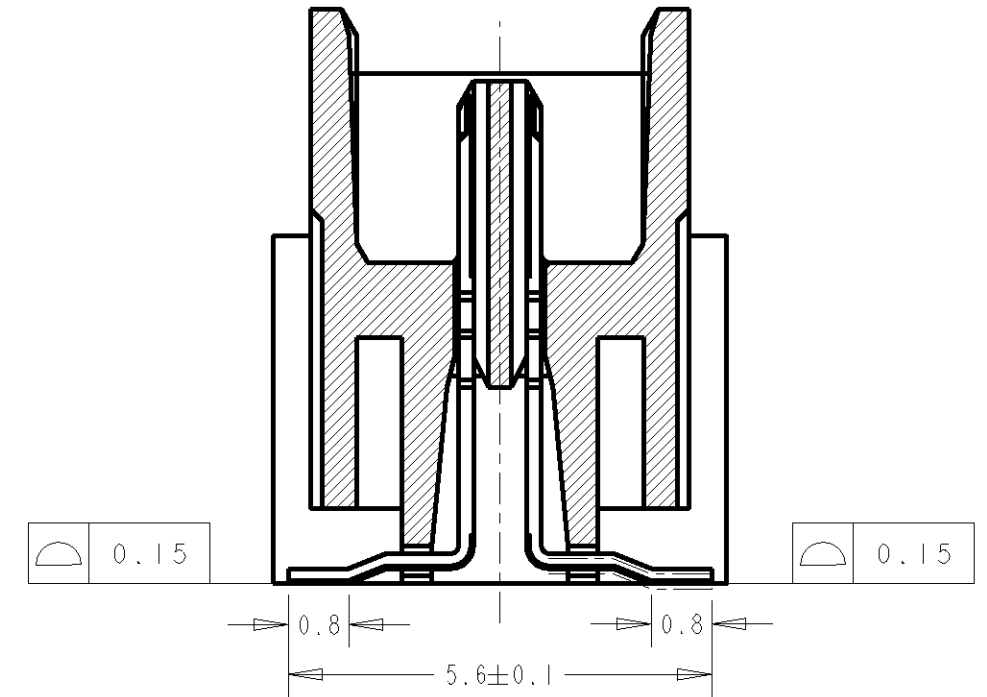
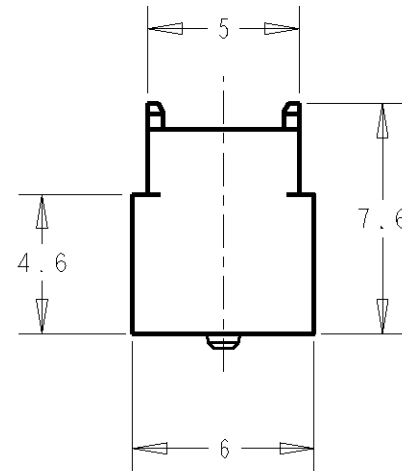
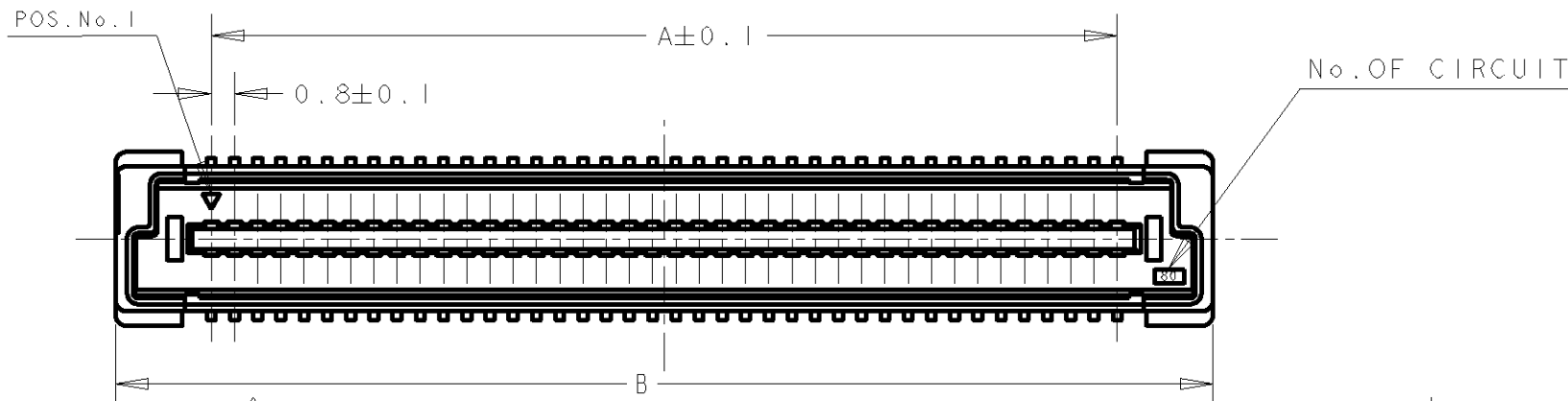
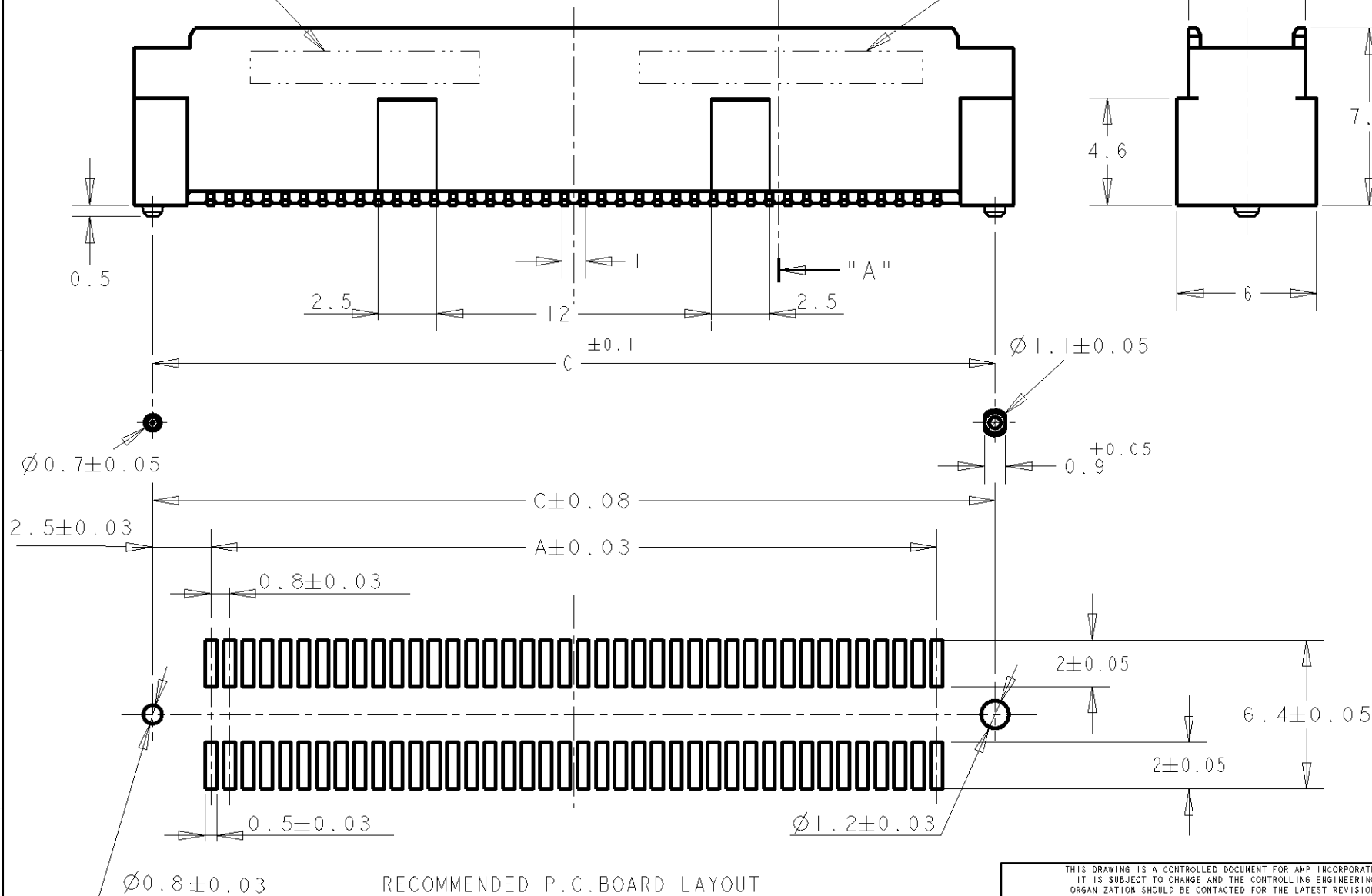


LOC	DIST	REVISIONS			
P	LTR	DESCRIPTION	DATE	DWN	APVD
DY	-	F1 REVISED ECR-06-000132	5JAN06	LWY	SYJ



NOTES:

- △ MATERIAL; HOUSING: L.C.P. (HIGH TEMP THERMO PLASTIC) UL 94V-0, NATURAL.
CONTACT: BRASS.
- △ FINISH; CONTACT AREA: 0.0002 MIN GOLD ON
0.0013 MIN ALL OVER NICKEL.
SOLDERING AREA: 0.001 MIN MATTE-TIN
- 3. POSITION SERIES; SEE TABLE.
- 4. CONN STACK HEIGHT COMBINE OF PLUG "Y" H VS REC "X" H.
STACK HEIGHT = Y + X - 5
- △ THIS ITEM IS PRELIMINARY
- △ DATE CODE MARKING AT APPROXIMATE LOCATION AS SHOWN
- △ PART NUMBER MARKING AT APPROXIMATE LOCATION AS SHOWN

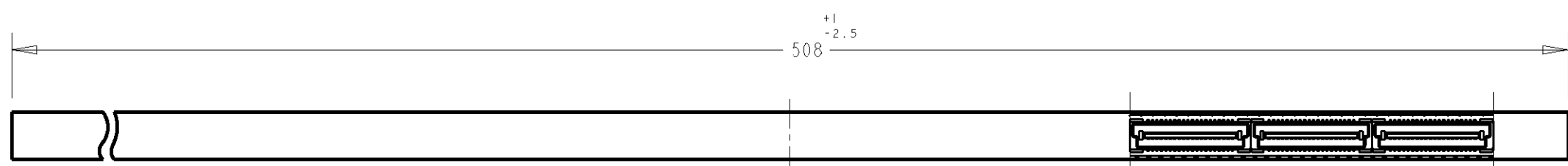


RECOMMENDED P.C. BOARD LAYOUT

THIS DRAWING IS A CONTROLLED DOCUMENT FOR AMP INCORPORATED. IT IS SUBJECT TO CHANGE AND THE CONTROLLING ENGINEERING ORGANIZATION SHOULD BE CONTACTED FOR THE LATEST REVISION.		DWN T. KUSUHARA 30MAR93	Tyco Electronics Singapore Pte. Ltd.	
DIMENSIONS: mm		CHK I. ENOMOTO	NAME PLUG ASSEMBLY 8H TYPE (0.5 BOSS LENGTH) FOR FH 0.8MM PITCH B-T-B CONNECTOR	
TOLERANCES UNLESS OTHERWISE SPECIFIED: 0 PLC ±0.2 1 PLC ±0.25 2 PLC ±0.3 3 PLC ±0.3 4 PLC ±0.3 ANGLES ±3°		APVD SF J FONG	DRAWING NO A3 00779 C-179031	
MATERIAL △		PRODUCT SPEC -	SCALE 4:1 SHEET 1 OF 2 REV F1	
FINISH △		APPLICATION SPEC -	CUSTOMER DRAWING	
		WEIGHT -		

THIS DRAWING IS UNPUBLISHED. RELEASED FOR PUBLICATION .19
 BY AMP INCORPORATED. ALL RIGHTS RESERVED.

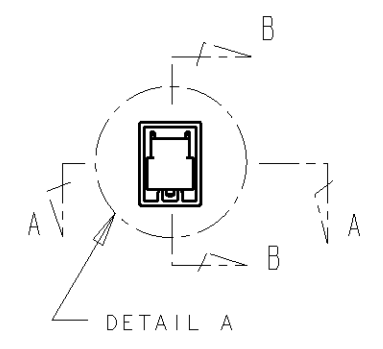
LOC	DIST	REVISIONS					
DY	-	P	LTR	DESCRIPTION	DATE	DWN	APVD
				SEE SHEET 1			



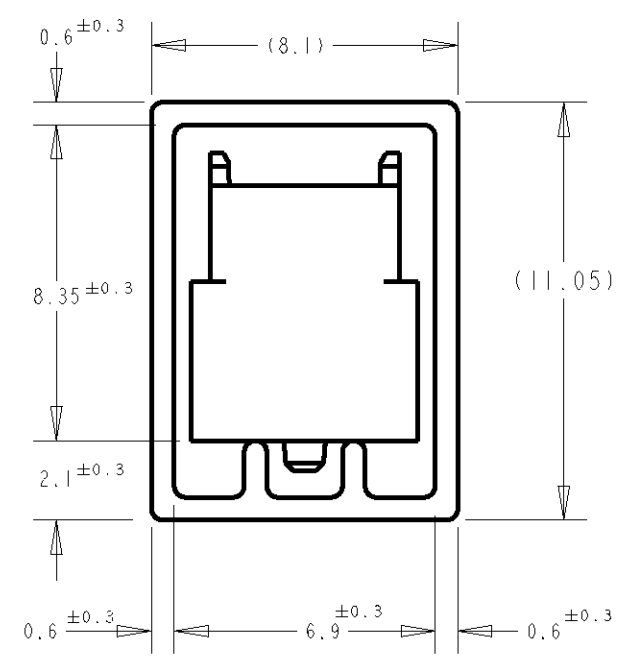
SECT A-A



SECT B-B



REFERENCE PICTURE OF TUBE PACK



DETAIL "B"
(SCALE 5-1)

14	32.2	33.8	27.2	70	1-	-1
5	84.2	85.8	79.2	200	1-	-0
6	76.2	77.8	71.2	180		-9
6	68.2	69.8	63.2	160		-8
7	60.2	61.8	55.2	140		-6
9	52.2	53.8	47.2	120		-5
10	44.2	45.8	39.2	100		-4
12	36.2	37.8	31.2	80		-3
16	28.2	29.8	23.2	60		-2
22	20.2	21.8	15.2	40		179031-1
QTY/TUBE	C	B	A	POS.	CONN P/N	

THIS DRAWING IS A CONTROLLED DOCUMENT FOR AMP INCORPORATED. IT IS SUBJECT TO CHANGE AND THE CONTROLLING ENGINEERING ORGANIZATION SHOULD BE CONTACTED FOR THE LATEST REVISION.		DWN T. KUSUHARA 30MAR93	tyco Tyco Electronics Electronics Singapore Pte. Ltd.		
DIMENSIONS: mm		CHK I. ENOMOTO	NAME PLUG ASSEMBLY 8H TYPE (0.5 BOSS LENGTH) FOR FH 0.8MM PITCH B-T-B CONNECTOR		
TOLERANCES UNLESS OTHERWISE SPECIFIED: 0 PLC ± 1 PLC ±0.2 2 PLC ±0.25 3 PLC ±0.3 4 PLC ± ANGLES ±3°		APVD S. J. FONG	DRAWING NO A3 00779 C-179031		
MATERIAL		PRODUCT SPEC -	SCALE 4:1 SHEET 2 OF 2 REV F1		
FINISH		APPLICATION SPEC -	CUSTOMER DRAWING		
WEIGHT -					